



**OFFSHORE  
SPECIAL  
REGULATIONS**



# **Extracts for Category 3**

## **Monohulls**

## **Including**

# **Sail Canada and LOOR Prescriptions 2023**

**Version 01.00 – January 1, 2023**

## Offshore Special Regulations 2023 Extract for Monohulls Category 3

**Because this is an extract not all paragraph numbers will be present**

### Copyright

This document is a transcription of the World Sailing Offshore Special Regulations, with permission. Sail Canada prescriptions shall take precedence; otherwise if there is a conflict between the two versions, the World Sailing version will govern.

RED TYPE indicates a significant change in 2022

**BOLD BLUE TYPE indicates a Sail Canada Prescription**

**PURPLE BOLD TYPE indicates a LOOR Prescription amendment. To see the original text, please reference both the Sail Canada Prescriptions and the World Sailing Offshore Special Regulations.**

**This document is subject to amendment by LOOR. The current version including amendments can be found at [loor.ca](http://loor.ca).**

Guidance notes and recommendations have been removed from the Regulations and are available on <https://www.sailing.org/documents/offshorespecialregs/index.php>

The use of the masculine gender shall be taken to mean either gender

### Administration

The Offshore Special Regulation are administered by the World Sailing Special Regulation Sub-Committee whose terms of reference are as follows: ([www.sailing.org/regulations](http://www.sailing.org/regulations))

World Sailing Regulation 6.9.8.3 - The Special Regulations Sub-Committee shall:

- (a) be responsible for the maintenance, revision and changes to the World Sailing Offshore Special Regulations governing offshore racing, under licence from ORC Ltd. Such changes shall be biennial with revised editions published in January of each even year, except that matters of an urgent nature affecting safety may be dealt with by changes to the Regulations on a shorter time scale;
- (b) monitor developments in offshore racing relative to the standards of safety and seaworthiness.

**For any queries regarding Sail Canada prescriptions please email: [offshore@sailing.ca](mailto:offshore@sailing.ca)**

**For any queries about these LOOR Safety Requirements, please email: [safety@loor.ca](mailto:safety@loor.ca)**

The following LOOR documents are appended to the end of this document:

1. LOOR Offshore Special Regulations (OSR) Category 3 Monohull Checklist
2. LOOR OSR Compliance Certification\_(Safety Document)

# Offshore Special Regulations 2023 Extract for Monohulls Category 3

## SECTION 1 - FUNDAMENTAL AND DEFINITIONS

### 1.01 Purpose and Use

- 1.01.1 The purpose of the Offshore Special Regulations (OSR) is to establish uniform minimum equipment, accommodation and training standards for monohull and multihull (excluding proa) boats racing offshore.
- 1.01.2 The OSR do not replace, but rather supplement, the requirements of governmental authority, Classification Society certification, the Racing Rules of Sailing (RRS), Equipment Rules of Sailing (ERS), class rules and Rating Systems.
- 1.01.3 Use of the OSR does not guarantee total safety of the boat and her crew. Particular attention is drawn to the description of OSRs for inshore racing which includes that adequate shelter and or effective rescue is available all along the course. This is not included in more onerous OSR categories.

### 1.02 Responsibility of Person in Charge

- 1.02.1 Under RRS 3 the responsibility for a boat's decision to participate in a race or continue racing is hers alone. The safety of a boat and her crew is the sole and inescapable responsibility of the Person in Charge who shall do his best to ensure that the boat is fully found, thoroughly seaworthy and manned by an experienced and appropriately trained crew who are physically fit to face bad weather. The person in charge shall also assign a person to take over his responsibilities in the event of his incapacitation.
- 1.02.2 Neither the establishment of the OSR, nor their use by Organizing Authorities, nor the inspection of a boat under the OSR in any way limits or reduces the complete and unlimited responsibility of the Person in Charge.
- 1.02.3 By participating in a race conducted under the OSR, the person in charge, each competitor and boat owner agrees to reasonably cooperate with the organizing authority and World Sailing in the development of an independent incident report as specified in 2.02.
- 1.02.3 By participating in a race conducted under the OSR, the person in charge, each competitor and boat owner agrees to reasonably cooperate with the organizing authority and World Sailing in the development of an independent incident report as specified in 2.02.

### 1.03 Definitions, Abbreviations, Word Usage

- 1.03.1 Definitions of Terms used in this document

**TABLE 1**

Abbreviation	Description
#	Pound force (lbf)
ABS	American Bureau of Shipping
Age Date	Month/year of first launch
AIS	Automatic Identification Systems
CEN	Comité Européen de Normalisation
Coaming	The part of the cockpit, including the transverse after limit, over which water would run when the boat is floating level and the cockpit is filled to overflowing
COLREGS	International Regulations for Preventing Collisions at Sea
Contained Cockpit	A cockpit where the combined area open aft to the sea is less than 50% maximum cockpit depth x maximum cockpit width
CPR	Cardio-Pulmonary Resuscitation
Crewmember	Every person on board
DSC	Digital Selective Calling
EN	European Norm
EPIRB	Emergency Position-Indicating Radio Beacon
ERS	World Sailing - Equipment Rules of Sailing
FA Station	The transverse station at which the upper corner of the transom meets the sheerline

### Offshore Special Regulations 2023 Extract for Monohulls Category 3

First Launch	Month & year of first launch of the individual boat
Foul-Weather Suit	Clothing designed to keep the wearer dry and which may consist of one piece or several
GMDSS	Global Maritime Distress & Safety System
GNSS	Global Navigation Satellite System
GPS	Global Positioning System
Hatch	The term hatch includes the entire hatch assembly including the lid or cover as part of that assembly
HMPE	High Modulus Polyethylene (Dyneema®/Spectra® or equivalent)
<b>IBRD</b>	<b>International Beacon Registration Database</b>
IMO	International Maritime Organisation
IMSO	The International Mobile Satellite Organisation, the independent, intergovernmental organisation that oversees Inmarsat's performance of its Public Service Obligations for the GMDSS and reports on these to IMO
INMARSAT	Inmarsat Global Limited is the private company that provides GMDSS satellite distress and safety communications, plus general communications via voice, fax and data
ISAF	International Sailing Federation (now World Sailing)
ISO	International Standard Organization or International Organization for Standardization
ITU	International Telecommunications Union
Jackstay	A securely fastened webbing or rope which permits a crewmember to move from one part of the boat to another without having to unclip a safety harness tether.
L <sub>H</sub>	Hull Length as defined by the ERS
Lifeline	Rope or wire line rigged as guardrail / guardline around the deck
LSA	IMO International Life-Saving Appliance Code
LWL	(Length of) loaded waterline
<b>MOB</b>	<b>Man overboard</b>
Monohull	A boat with one hull
Moveable Ballast	Material carried for the sole purpose of increasing weight and/or influencing stability and/or trim and which may be moved transversely but not varied in weight while a boat is racing
Multihull	A boat with more than one hull
Open Cockpit	A cockpit that is not a contained cockpit
ORC	Offshore Racing Congress (formerly Offshore Racing Council)
OSR	Offshore Special Regulation(s)
Permanently Installed	The item is effectively built-in by e.g. bolting, welding, glassing etc. and may not be removed for or during racing
PLB	Personal Locator Beacon
Primary Launch	Month & Year of first launch of the first boat of the production series or first launch of a non-series boat
Proa	Asymmetric Catamaran
Rode	Rope, chain, or a combination of both, which is used to connect an anchor to the boat.
RRS	World Sailing Racing Rules of Sailing
Safety Line	A tether used to connect a safety harness to a strong point
SAR	Search and Rescue
SART	Search and Rescue Transponder

## Offshore Special Regulations 2023 Extract for Monohulls Category 3

Securely Fastened	Held strongly in place by a method (e.g. rope lashings, wing-nuts) which will safely retain the fastened object in severe conditions including a 180° capsize and allows for the item to be removed and replaced during racing
SOLAS	Safety of Life at Sea Convention
SSS	The Safety and Stability Screening numeral
Static Ballast	Material carried for the sole purpose of increasing weight and/or to influencing stability and/or trim and which is not moved or varied in weight while a boat is racing
Static Safety Line	A safety line (usually shorter than a safety line carried with a harness) kept clipped on at a work-station
STIX	ISO 12217-2 Stability Index
<b>STCW</b>	<b>Standards of Training - Certification of Watchkeeping</b>
Variable Ballast	Water carried for the sole purpose of influencing stability and/or trim and which may be varied in weight and/or moved while a boat is racing
Waterline	The water surface when the boat is floating in measurement trim
World Sailing	formerly the International Sailing Federation or ISAF
<b>WS</b>	<b>World Sailing</b>

- 1.03.2 The words "shall" and "must" are mandatory, "should" and "may" are permissive.  
 1.03.3 The word "yacht" shall be taken as fully interchangeable with the word "boat"

## SECTION 2 - APPLICATION & GENERAL REQUIREMENTS

### 2.01 Categories of Events

Organizing Authorities shall select from one of the following categories and may modify the OSR to suit local conditions

#### 2.01.4 Category 3

Races across open water, most of which is relatively protected or close to shorelines

### 2.02 Incident Reporting

The Organizing Authority of a race will establish whether any incidents occurred, which if reported would be likely to be relevant to evolving the Offshore Special Regulations, the plan review process, or in increasing safety. The Organizing Authority will follow any guidelines issued by World Sailing concerning incident reporting.

### 2.03 Inspection

A boat may be inspected at any time. If she fails to comply with the OSR her entry may be rejected or she will be subject to protest

### 2.04 General Requirements

2.04.1 All equipment required by OSR shall:

- a) function properly
- b) be regularly checked, cleaned and serviced
- c) if it has an expiry date, it will not have exceeded its expiry date whilst racing
- d) when not in use be stowed in conditions in which deterioration is minimised
- e) be readily accessible
- f) be of a type, size and capacity suitable and adequate for the intended use and size of the boat.

2.04.2 Heavy items shall be permanently installed or securely fastened

## Offshore Special Regulations 2023 Extract for Monohulls Category 3

### SECTION 3 - STRUCTURAL FEATURES, STABILITY, FIXED EQUIPMENT

A boat shall be/have:

#### 3.01 Strength of Build and Rig

3.01.1 Properly rigged, fully seaworthy and shall meet the OSR

3.01.2 Equipped with shrouds and at least one forestay that shall remain connected to the mast and the boat while racing (not applicable to boats with free-standing masts)

3.01.3 The forestay referenced above shall be sized and connected in a way that ensures it is capable of withstanding the full sailing loads independent of any headsail luff load capacity.

#### 3.02 Watertight and Structural Integrity of a Boat

3.02.1 Essentially watertight and all openings shall be capable of being immediately secured. Centreboard, daggerboard trunks and the like shall not open into the interior of a hull except via a watertight maintenance hatch with the opening entirely above the waterline

3.02.2 **LOOR highly recommends that**

Effective 1 January 2022: Structural Inspection - Consult the owner's manual for any instructions for keel bolt checking and re-tightening. The following inspection to be conducted by a qualified person externally with the boat out of the water. Check that there are no visible stress cracks particularly around the keel, hull/keel attachment, hull appendages and other stress points, inside the hull, backing plates, bolting arrangements and keel floors. (See Appendix L - Model Keel and Rudder Inspection Procedure)

3.02.3 **LOOR highly recommends that**

Effective 1 January 2022: Evidence of a structural inspection in accordance with 3.02.2 within 24 months before the start of the race or after a grounding whichever is the later

3.02.4 **LOOR highly recommends that**

Effective 1 January 2022: Inspection after Grounding - an appropriately qualified person shall conduct an internal and external inspection after each unintentional grounding

#### 3.04 Stability - Monohulls

3.04.1 Able to demonstrate compliance with ISO 12217-2\* design category B or higher, either by EC Recreational Craft Directive certification having obtained the CE mark or the designer's declaration

\* The latest effective version of ISO 12217-2 should be used unless the boat was already designed to a previous version.

Sail Canada prescribes that if the minimum righting energy, in 3.04.2 a) iii below, is not available, or if 3.04.2 b) or c) are used, the boat shall have a minimum sailing weight "m" of 1,500 kg.

3.04.2 Where compliance in accordance with 3.04.1 cannot be demonstrated, able to demonstrate either:

- a)
  - i a STIX value not less than 23; and
  - ii AVS not less than  $130 - 0.005 \cdot m$ , but always  $\geq 95^\circ$ , (where "m" is the mass of the boat in the minimum operating condition as defined by ISO 12217-2); and
  - iii a minimum righting energy  $m \cdot AGZ > 57000$  (where AGZ is the positive area under the righting lever curve in the minimum operating condition, expressed in kg metre degrees from upright to AVS); or
- b) Stability Index in ORC Rating System of not less than 103; or
- c) IRC SSS Base value of not less than 15

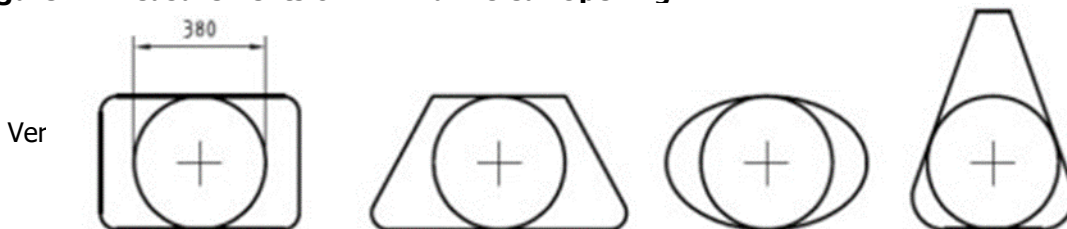
#### 3.06 Exits - Monohulls

3.06.1 At least two exits if 8.5 m (28') LH and greater and with a primary launch after 1994. One exit shall be located forward of the foremost mast except where structural features prevent its installation

3.06.2 The following minimum clear hatch openings if first launch after 2013:

- a) a circular hatch with diameter 450 mm (18"); or
- b) any other shape with minimum dimension of 380 mm (15") and minimum area of 0.18 m<sup>2</sup> (1.9 ft<sup>2</sup>) (see figure 1)

**Figure 1 - Measurements of Minimum Clear Opening**



## Offshore Special Regulations 2023 Extract for Monohulls Category 3

### 3.08 Hatches & Companionways

- 3.08.1 Hatch covers forward of the maximum beam station shall not open toward the interior of the boat, except hatches in the side of a coachroof or ports having an area of less than 0.071 m<sup>2</sup> (110 in<sup>2</sup>)
- 3.08.2 A hatch, including a hatch over a locker shall be:
- permanently attached and capable of being firmly shut immediately and remaining firmly shut in a 180° capsize.
  - Above the water when the boat is heeled 90°  
A boat may have a maximum of two hatches on each side of centerline that do not conform to the requirement in b), provided that the opening of each is less than 0.0712m(110in<sup>2</sup>)
- 3.08.3 Hatches not conforming with 3.08.1 and 3.08.2 shall be clearly labelled and used in accordance with the following instruction "NOT TO BE OPENED AT SEA"
- 3.08.4 Companionway hatches:
- fitted with a strong securing arrangement which shall be operable from the exterior and interior even when the boat is inverted
  - blocking devices:
    - capable of being retained in position with the hatch open or shut
    - secured to the boat (e.g. by lanyard) for the duration of the race
    - permit exit in the event of inversion
- 3.08.5 if a monohull with Open Cockpit(s):
- a companionway sill that does not extend below the local sheerline; or
  - a companionway in full compliance with ISO 11812 category A
- 3.08.6 if a monohull with Contained Cockpit(s) where the companionway extends below the local sheerline, panels capable of blocking the companionway up to the level of the local sheerline whilst giving access to the interior.

### 3.09 Cockpits

- 3.09.1 Cockpits that self-drain quickly by gravity at all angles of heel and are permanently incorporated as an integral part of the boat
- 3.09.2 A cockpit sole at least 2% LWL above the waterline (or in IMS boats with first launch before 2003, at least 2% L above the waterline)
- 3.09.3 A bow, lateral, central or stern well is a cockpit for the purposes of OSR 3.09

#### 3.09.4 Cockpit Volume

The maximum combined volume below lowest coamings of all contained cockpits shall be:

- primary launch before April 1992: 9% (LWL x maximum beam x freeboard abreast the cockpit)
- primary launch after March 1992 as above for the appropriate category except that "lowest coamings" shall not include any aft of the FA station and no extension of a cockpit aft of the working deck shall be included in calculation of cockpit volume

#### 3.09.5 Cockpit Drains

Cockpit drain cross section area of unobstructed openings (after allowance for screens if fitted) shall be at least that of:

- 2 x 25 mm (1") diameter or equivalent for a boat less than 8.5 m (28') LH
- 4 x 20 mm (3/4") diameter or equivalent for a boat 8.5 m (28') LH or greater

### 3.10 Sea Cocks or Valves

Permanently installed sea cocks or valves on all through-hull openings below the waterline except for integral deck scuppers and instrument through-hulls

### 3.11 Sheet Winches

Sheet winches mounted in such a way that an operator is not required to be substantially below deck

### 3.12 Mast Step

The heel of a keel stepped mast securely fastened to the mast step or adjoining structure

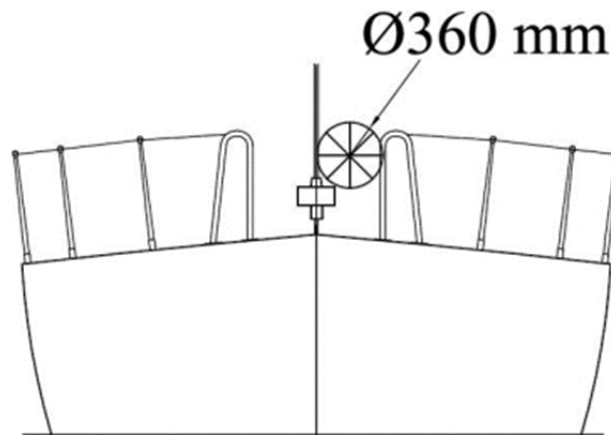
## Offshore Special Regulations 2023 Extract for Monohulls Category 3

### 3.14 Pulpits, Stanchions, Lifelines

3.14.1 The perimeter of the deck surrounded by system of lifelines and pulpits as follows:

- a) Continuous lifelines fixed only at (or near) the bow and stern. However a gate on each side of a boat is permitted. Except at its end fittings and at gates, the movement of a lifeline in a fore-and-aft direction shall not be constrained. Temporary sleeving in 3.14.3 c) shall not modify tension in the lifelines.
- b) Minimum heights of lifelines and pulpit rails above the working deck and vertical openings:
  - i upper: 600 mm (24")
  - ii intermediate: 230 mm (9")
  - iii vertical opening: no greater than 380 mm (15") except that on a boat with a Primary Launch before 1993 where it shall be no greater than 560 mm (22")
  - iv a boat less than 8.5 m (28') LH may use a single lifeline system with a height between 450 mm (18") and 560 mm (22")
- c) Lifelines permanently supported at intervals of not more than 2.2 m (7'-2 1/2") and shall not pass outboard of supporting stanchions
- d) Pulpit and stanchion bases permanently installed with pulpits and stanchions mechanically retained in their bases
- e) The outside of pulpit and stanchion base tubes no further inboard from the edge of the working deck than 5% of maximum beam or 150 mm (6"), whichever is greater, nor further outboard than the edge of the working deck
- f) Stanchions straight and vertical except that:
  - i within the first 50 mm (2") from the deck, stanchions shall not be displaced horizontally from the point at which they emerge from the deck or stanchion base by more than 10 mm (3/8")
  - ii stanchions may be angled to not more than 10° from vertical at any point above 50 mm (2") from the deck
- g) A bow pulpit may be open provided the opening between the pulpit and any part of the boat does not exceed 360 mm (14")

**Figure 2 - Diagram Showing Pulpit Opening**



- h) Lifelines may terminate at or pass through adequately braced stanchions set inside and overlapping the bow pulpit
- i) When a deflecting force of 4 kg (8.8 #) is applied to a lifeline at the mid-point of the longest span between supports that are aft of the mast, the deflection shall not exceed:
  - i 50 mm (2") for an upper or single lifeline
  - ii 120 mm (4 3/4") for an intermediate lifeline



## Offshore Special Regulations 2023 Extract for Monohulls Category 3

### 3.14.6 Lifeline Specifications

- a) Lifelines of stranded stainless steel wire
- b) The minimum diameter as specified in table 8 below
- c) **LOOR Modifies 3.14.6C to Vinyl coated lifelines are permitted in LOOR events. Skippers are required to remove the coating to either side of any apparent rust and verify the integrity of the lifelines; this is particularly important for older yachts with original lifelines or yachts that have been exposed to salt water in the past.**  
Stainless steel lifelines shall be uncoated and used without close fitting sleeving; however, temporary sleeving may be fitted provided it is regularly removed for inspection.
- d) A lanyard of synthetic rope may be used to secure lifelines provided the gap it closes does not exceed 100 mm (4"). This lanyard shall be replaced annually
- e) All components of the lifeline enclosure system shall have a breaking strength no less than the lifeline

**TABLE 8 - Minimum Diameters**

L <sub>H</sub>	Wire	HMPE rope (Single braid)	HMPE Core (Braid on braid)
under 8.5 m (28')	3 mm (1/8")	4 mm (5/32")	4 mm (5/32")
8.5 m - 13 m	4 mm (5/32")	5 mm (3/16")	5 mm (3/16")
over 13 m (42'-8")	5 mm (3/16")	5 mm (3/16")	5 mm (3/16")

### 3.17 Toe Rail or Foot - Stop

- 3.17.1 Permanently installed toe rail of minimum height 25 mm (1"), located as close as practicable to the stanchion bases, around the foredeck from abreast the mast
- 3.17.2 An additional lifeline of between 25-50 mm (1-2") high is permitted in lieu of a toe rail on a boat with primary launch before 1984.

### 3.18 Toilet

- 3.18.2 **LOOR modifies 3.18.2 to delete fitted bucket. Black water discharge is not permitted on Lake Ontario.**  
Permanently installed toilet or fitted bucket.

### 3.19 Bunks

- 3.19.2 Permanently installed bunks

### 3.20 Cooking Facilities

Permanently installed cooking stove, capable of being operated safely at sea, with fuel shutoff control

### 3.21 Drinking Water Tanks & Drinking Water

#### 3.21.1 Drinking Water Tanks

**LOOR modifies 3.21.1a) to allow water in small containers (bottles, pouches, cans, etc.) in lieu of a permanent water tank and delivery system.**

- a) Permanently installed delivery pump and water tank(s).

#### 3.21.3 Emergency Drinking Water

- a) At least 9 l (2.4 US Gal) of drinking water for emergency use in a dedicated and sealed container or container(s)

### 3.22 Hand Holds

Adequate hand holds fitted below deck

### 3.23 Bilge Pumps and Buckets

- 3.23.1
  - a) two strong buckets, each with a lanyard and of at least 9 l (2.4 US Gal) capacity
  - b) one permanently installed manual bilge pump
- 3.23.2 All required permanently installed bilge pumps shall be operable with all cockpit seats, hatches and companionways shut and with permanently installed discharge pipe(s) of sufficient capacity
- 3.23.3 Bilge pumps shall not be connected to cockpit drains and shall not discharge into a Closed Cockpit

## Offshore Special Regulations 2023 Extract for Monohulls Category 3

3.23.4 Bilge pumps shall be readily accessible for maintenance and for clearing out debris

3.23.5 All removable bilge pump handles retained by a lanyard

### 3.24 Compass

- a) Marine magnetic compass capable of being used as a steering compass:
- b) Permanently installed marine steering compass, independent of any power supply, correctly adjusted with deviation card
- c) a second compass which may be hand-held and/or electronic

### 3.25 Halyards

- a) A minimum of two halyards, each capable of hoisting a sail, on each mast
- b) No halyard shall be locked, lashed or otherwise secured to the mast in a way that requires a person to go aloft in order to lower a sail in a controlled manner, except for a headsail in use with a furling device.

### 3.27 Navigation Lights

3.27.1 that conform to the International Regulations for Preventing Collisions at Sea (Part C and Technical Annex I) and shall be exhibited as required by those regulations.

3.27.2 mounted above sheerline and so that they will not be masked by sails or the heeling of the boat

3.27.3 reserve lights having the same specifications as above, and that can be powered independently

3.27.4 spare bulbs (not required for LED)

### 3.28 Engines, Generators, Fuel

#### 3.28.1 Propulsion Engines

- a) engines and associated systems installed in accordance with their manufacturers' guidelines and suitable for the size and intended use of the boat
- b) an engine which provides a minimum speed in knots of  $(1.8 \times \sqrt{LWL}$  in metres) or  $(\sqrt{LWL}$  in feet)
- c) either an inboard or outboard engine, with associated power supply systems, all securely fastened
- d) an inboard combustion engine shall have a permanently installed exhaust, cooling system, fuel supply, fuel tank(s) and shall have adequate heavy weather protection
- e) an inboard electrical engine, when fitted, shall be provided with a permanently installed power supply, adequate heavy weather protection and have an engine control system.

#### 3.28.2 Generator

If an optional generator separate from the propulsion engine is carried, it shall be installed in accordance with the manufacturer's guidelines

#### 3.28.3 Liquid Fuel Systems

- a) All fuel tanks for storage of liquid fuels shall be rigid (but may have permanently installed flexible linings) and shall have a shutoff valve
- b) At the start a boat with a combustion engine shall carry sufficient fuel to meet charging requirements for the duration of the race and to motor at the above minimum speed for at least 5 hours

#### 3.28.4 Battery Systems

- a) a dedicated engine/generator starting battery when an electric starter is the only method for starting the engine and/or separate generator
- b) batteries installed after 2011 shall be of the sealed type from which liquid electrolyte cannot escape
- c) At the start a boat with an electric engine shall carry sufficient capacity to meet electrical requirements for the duration of the race and to motor at the above minimum speed for at least 5 hours

### 3.29 Communications Equipment, GPS, Radar, AIS

3.29.1 a marine radio transceiver with an emergency antenna when the regular antenna depends upon the mast  
**Sail Canada prescribes that a boat shall have a VHF radio transceiver in accordance with 3.29.2**

3.29.2 if the marine radio transceiver is a VHF:

- a) a minimum rated output power of 25 W
- b) a masthead antenna and co-axial feeder cable with not more than 40% power loss

## Offshore Special Regulations 2023 Extract for Monohulls Category 3

- c) be DSC capable if installed after 2015
  - d) DSC capable VHF transceivers shall be programmed with an assigned MMSI (unique to the boat), be connected to a GPS receiver and be capable of making distress alert calls as well as sending and receiving a DSC position report with another DSC equipped station
- 3.29.5 a hand-held marine VHF transceiver, watertight or with a waterproof cover. When not in use to be stowed in a grab bag or emergency container (see OSR 4.21)
- 3.29.6 a second radio receiver, which may be the handheld VHF in 3.29.5 above, capable of receiving weather bulletins
- 3.29.8 a GPS
- 3.29.13 **LOOR highly recommends 3.29.13 a) b)**  
an AIS Transponder which either:
- a) shares the masthead VHF antenna via a low loss AIS antenna splitter; or
  - b) has a dedicated AIS antenna not less than 38 cm (15") in length mounted with its base not less than 3 m (10') above the waterline and co-axial feeder cable with not more than 40% power loss

### SECTION 4 - PORTABLE EQUIPMENT

A boat shall have:

#### 4.01 Sail Letters & Numbers

- 4.01.1 Identification on sails which complies with RRS 77 and RRS Appendix G
- 4.01.2 An alternative means of displaying identification as required under RRS Appendix G for a mainsail, to be displayed when none of the numbered sails are set

#### 4.03 Soft Wood Plugs

A tapered soft wood plug stowed adjacent to every through-hull opening

#### 4.04 Jackstays and Clipping Points

- 4.04.1 Permanently installed fittings for jackstay ends and clipping points
  - 4.04.2 Jackstays which shall:
    - a) be independent on each side of the deck
    - b) enable a crewmember to move readily between the working areas on deck and the cockpit(s) with the minimum of clipping and unclipping operations
    - c) have a breaking strength of 2040 kg (4500#) and be uncoated and non-sleeved stainless steel 1 x 19 wire of minimum diameter 5 mm (3/16"), webbing or HMPE rope
- 4.04.3 Clipping points which shall:**
- a) be adjacent to stations such as the helm, sheet winches and masts, where crewmembers work
  - b) enable a crewmember to clip on before coming on deck and unclip after going below
  - c) enable two-thirds of the crew to be simultaneously clipped on without depending on jackstays

#### 4.05 Fire Fighting Equipment

- 4.05.1 A fire blanket adjacent to every cooking device with an open flame
- 4.05.2 **LOOR events accept Governmental authority requirements for fire extinguishers in accordance with vessel registry, modifying 4.05.2**  
2 fire extinguishers, each with 2kg each of dry powder or equivalent, in different parts of the boat

#### 4.06 Anchors

- 4.06.2 2 un-modified anchors that meet the anchor manufacturer's recommendation based on the boat's dimensions with suitable combination of chain and rope, ready for immediate assembly, and ready for deployment within 5 minutes except that for a boat less than 8.5 m (28') LH there shall be 1 anchor meeting the same criteria.

#### 4.07 Flashlights and Searchlights

- 4.07.1 Watertight lights with spare batteries and bulbs as follows:
  - a) a searchlight, suitable for searching for a person overboard at night and for collision avoidance
  - b) a flashlight in addition to 4.07 a)

## Offshore Special Regulations 2023 Extract for Monohulls Category 3

### 4.08 First Aid Manual and First Aid Kit

A First Aid Manual and First Aid Kit. The contents and storage of the First Aid Kit shall reflect the likely conditions and duration of the passage, and the number of crew

### 4.09 Foghorn

A foghorn

### 4.10 Radar Reflector

4.10.1 A passive radar reflector with:

- a) octahedral circular plates of minimum diameter 30 cm (12"), or
- b) octahedral rectangular plates of minimum diagonal dimension 40 cm (16"), or
- c) a non-octahedral reflector with a documented Root Mean Square minimum Radar Cross Section (RCS) area of 2 m<sup>2</sup> (22 ft<sup>2</sup>) from 0-360° of azimuth and ±20° of heel

### 4.11 Navigation Equipment

4.11.1 Navigational charts (not solely electronic), light list and chart plotting equipment

### 4.12 Safety Equipment Location Chart

A safety equipment location diagram in durable waterproof material, clearly displayed in the main accommodation, marked with the location of principal items of safety equipment

### 4.13 Depth, Speed and Distance Instruments

4.13.1 A knotmeter or distance measuring instrument (log)

4.13.2 A depth sounder

### 4.15 Emergency Steering

4.15.1 An emergency tiller capable of being fitted to the rudder stock except when

- a) the principal method of steering is by means of an unbreakable metal tiller
- b) there are two methods (e.g. tillers, wheels) of controlling a rudder, neither of which shares components with the other except for the rudder stock.

4.15.2 A proven method of emergency steering with the rudder disabled

### 4.16 Tools and Spare Parts

4.16.1 Tools and spare parts, suitable for the duration and nature of the passage

4.16.2 An effective means to quickly disconnect or sever the standing rigging from the boat

### 4.17 Boat's name

The boat's name on miscellaneous buoyant equipment, such as lifejackets, cushions, lifebuoys, recover slings, grab bags etc.

### 4.18 Retro-reflective material

Marine grade retro-reflective material on lifebuoys, recovery slings, liferafts and lifejackets

### 4.21 Grab Bags

Either a watertight compartment or a grab bag, readily accessible whether or not the boat is inverted, with the following minimum contents:

- a) a watertight hand-held marine VHF transceiver with spare batteries
- b) a watertight flashlight with spare batteries and bulb
- c) 3 red hand flares
- d) a watertight strobe light with spare batteries
- e) a knife
- f) **Loor requires 4.21 f)**

## Offshore Special Regulations 2023 Extract for Monohulls Category 3

If a grab bag is provided it shall have inherent flotation, at least 0.1 m<sup>2</sup> (1 ft<sup>2</sup>) area of fluorescent orange colour on the outside, shall be marked with the name of the boat, and shall have a lanyard and clip

### 4.22 Crew Overboard Identification and Recovery

- 4.22.3 a lifebuoy with a self-igniting light, a whistle and a drogue, within reach of the helmsman and ready for immediate use
- 4.22.6 Each inflatable lifebuoy and any automatic device shall be tested and serviced at intervals in accordance with its manufacturer's instructions
- 4.22.7 A heaving line, no less than 6 mm (1/4") diameter, 15 - 25 m (50 - 75') long, readily accessible to cockpit
- 4.22.8 A recovery sling which includes a:
  - a) buoyant line of length no less than the shorter of 4 times LH or 36m (120')
  - b) buoyancy section (horseshoe) with no less than 90 N (20#) buoyancy
  - c) minimum strength capable to hoist a crewmember aboard

### 4.23 Pyrotechnic and Light Signals

**Modified so LOOR accepts governmental authority requirements for pyrotechnic and light signals in accordance with vessel registry.**

### 4.25 Cockpit Knife

A strong, sharp knife, sheathed, securely restrained and readily accessible from the deck or a cockpit

### 4.26 Storm & Heavy Weather Sail Inventory

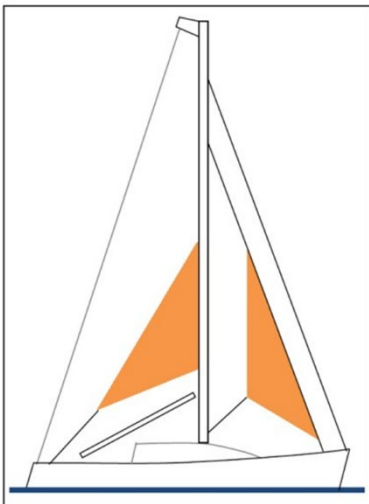
**LOOR requires an adequate means of reefing the mainsail by at least 30% of the luff length shall be installed (12% shall suffice if a storm jib, number 4 jib or roller furling genoa is on board ). This modifies the entirety of 4.26 and 4.27**

The following storm & heavy weather sails as specified in OSR 4.27:

- 4.26.1 either a storm trysail or mainsail reefing reduce the luff by at least 40% (or rotating wing mast if suitable)
- 4.26.2 Heavy Weather Jib

### 4.27 Storm & Heavy Weather Sail Specifications

#### 4.27.1 Design Figure 3



- a) The material of the body of a storm sail purchased after 2013 shall have a highly-visible colour (e.g. dayglo pink, orange or yellow)
- b) Aromatic polyamides, carbon and similar fibres shall not be used in a trysail or storm jib but HMPE and similar materials are permitted

### Offshore Special Regulations 2023 Extract for Monohulls Category 3

- c) Sheeting positions on deck for each storm and heavy-weather sail
- d) Sheeting positions for the trysail independent of the boom
- e) The maximum area of storm and heavy weather sails shall be lesser of the areas below or as specified by the boat designer or sailmaker
- f) For sails made after 2011: Storm and heavy weather jib areas calculated as:  $(0.255 \times \text{luff length} \times (\text{luff perpendicular} + 2 \times \text{half width}))$

#### 4.27.3 A heavy weather jib (or heavy weather sail in a boat with no forestay) with:

- a) area of 13.5% height of the foretriangle squared
- b) readily available means, independent of a luff groove, to attach to the stay

## SECTION 5 - PERSONAL EQUIPMENT

Each crew member shall have:

### 5.01 Lifejacket

5.01.1 A lifejacket shall:

- a) i if manufactured before 2012 comply with ISO 12402 - 3 (Level 150) or equivalent, including EN 396 or UL 1180 and:
  - if inflatable have a gas inflation system
  - have crotch/thigh straps (ride up prevention system (RUPS))

**Sail Canada prescribes either:**

- ii **if manufactured after 2011 comply with ISO 12402-3 (Level 150) and be fitted with a whistle, lifting loop, reflective material, automatic/manual gas inflation system and:**

- **crotch/thigh straps (ride up prevention system (RUPS))**

**or**

- iii **if manufactured after 2011 comply with UL1180 and be fitted with a whistle, reflective material and:**

- **Crotch / thigh straps (ride up prevention system (RUPS))**

**Loor prescribes the following. Crotch strap(s) / thigh straps that are functionally equivalent to ISO 12401 will be accepted by LOOR.**

**Sail Canada note - ISO 12402 is not currently approved by Transport Canada**

- b) have an emergency position indicating light in accordance with either ISO 12402-8 or SOLAS LSA code 2.2.3
- c) be clearly marked with the boat's or wearer's name
- d) have a sprayhood in accordance with ISO 12402-8

**f) if inflatable, regularly checked for air retention**

5.01.2 A boat shall carry at least one gas inflatable lifejacket spare cylinder and, if appropriate, a spare activation head for each type of lifejacket on board.

**LOOR modifies 5.01.2 in addition to recommend crewmembers each have a personal MOB device that is conducive with search and rescue efforts on behalf of the boat they are racing on and the assets of the Joint Rescue Coordination Centre (JRCC) Trenton. The JRCC is able to receive DSC distress signals from all points on Lake Ontario.**

5.01.4 The person in charge shall personally check each lifejacket at least once annually.

### 5.02 Safety Harness and Tethers

5.02.1 A harness that complies with ISO 12401 or equivalent

5.02.2 A tether that shall:

- a) comply with ISO 12401 or equivalent
- b) not exceed 2 m (6'-6") including the length of the hooks
- c) have self-closing hooks

## Offshore Special Regulations 2023 Extract for Monohulls Category 3

- d) have overload indicator flag embedded in the stitching
  - e) be manufactured after 2000
- 5.02.3 All of the crew shall have either:
- a) a tether not more than 1 m (3'-3") long, or
  - b) an intermediate self-closing hook on a 2 m (6'-6") tether
- 5.02.4 A tether which has been overloaded shall be replaced

### SECTION 6 - TRAINING

- 6.01.2 **Sail Canada prescribes that, starting in 2023, at least 30% but not fewer than two crewmembers, including the Person in Charge, shall have undertaken a one-day Sail Canada accredited (or equivalent) offshore survival course within the five years before the start of the race.**
- LOOR modifies 6.01.2 such that crewmembers, including the Person in Charge, shall have undertaken a one-day Sail Canada accredited (or equivalent) offshore survival course within the five years before the start of the race, as follows:**

**2023 – 0%**

**2024 – 15% of crew**

**2025 – Sail Canada Prescription applies**

**LOOR highly recommends that 30% or more of the crew have undertaken a one-day Sail Canada accredited (or equivalent) offshore survival course within the five years before the start of the race.**

### 6.04 ROUTINE TRAINING ON-BOARD

#### 6.04 Routine Training On-Board

At least annually the crews shall practice the drills for:

- 6.04. a) Crew-Overboard Recovery
- 6.04. b) Abandonment of vessel

#### 6.05 Medical Training

- 6.05.3 At least one member of the crew shall be familiar with First Aid procedures, hypothermia, drowning, cardio-pulmonary resuscitation, and relevant communications systems
- The appendices listed below are included in the "Complete" version of the current World Sailing OSR available at [www.sailing.org/documents/offshorespecialregs/index.php](http://www.sailing.org/documents/offshorespecialregs/index.php)

### APPENDICES TO THE OFFSHORE SPECIAL REGULATIONS

- Appendix A - Moveable and Variable Ballast
- Appendix B - For Inshore Racing
- Appendix C - For Inshore Dinghy Racing
- Appendix D - A guide to ISO and other Standards
- Appendix E - World Sailing Code for the organisation of Oceanic Races
- Appendix F - Standard Inspection Card
- Appendix G - Model Training Course
- Appendix H - Model First Aid Training Course
- Appendix J - Hypothermia
- Appendix K - Drogues and sea anchors
- Appendix L – Model Keel and Rudder Inspection Procedure







# **LOOR**

## **Offshore Special Regulations (OSR) Category 3 Monohull Checklist 2023**

**Version 1**

**Published on 2023-01-16**

This Checklist is a guide to complying with the LOOR OSR Category 3 for Monohulls. As such, it is in point form. The full text is in the LOOR Offshore Special Regulations (OSR) Category 3 Monohulls and overrides this document, including for any errors or omissions in this Checklist.

Future requirements are not included in the Checklist. Neither are suggested or recommended items. LOOR highly encourages that participants review and consider recommendations and understand the implications of noted future requirements.

The Checklist is organized for review by either

- Person-in-Charge (PiC) using the complete Checklist to prepare for the race in order to certify their meeting the requirements of LOOR OSR Category 3 for Monohulls on ...
- or LOOR's Technical Committee Equipment Inspectors conducted as follows:
  - LOOR Technical Committee Pre-race Inspection will use the entire Checklist
  - LOOR Technical Committee Post race will use a pre-defined subset of the Checklist with at least three different subsets

### **Instructions when used a LOOR Technical Committee Pre- or Post-Race Inspection**

**PERSON-IN-CHARGE** (see Racing Rules of Sailing 46): please fill in this form, prepare the boat, initial above each underline and sign where indicated.

**EQUIPMENT INSPECTORS** mark each inspected item with a checkmark or cross. Note any deficiencies on the Deficiency Report. Show the Deficiency Report to the Person-in-Charge, then return the report to the LOOR Technical Committee as soon as possible.

**DISCLAIMER OF LIABILITY** The inspection is conducted as a courtesy. An Equipment Inspector cannot limit or reduce the complete and unlimited responsibility of the owner and the Person-in-charge.

### **LOOR Offshore Special Regulations (OSR) Category 3 Monohull Checklist 2023**

<b>BOAT NAME</b>	
<b>SAIL NUMBER</b>	

**PERSON-in CHARGE**


**Note:** PURPLE text indicates additional requirements to LOOR OSR Category 4

PIC ✓ For use by the Person-in-Charge  
 EIO ✓ For use by Technical Committee Equipment Inspector **ONLY**

LINE	OSR REF.	ITEM	PiC ✓	EIO ✓
1.		<b>Lay out on Chart Table or other Surface</b>		
2.	3.04.1	Proof that boat meets ISO 12217-2 category B or equivalent stability		
3.	4.11	Charts (not solely electronic), light list, plotting equipment		
4.	6.04	Proof that crew-overboard recovery has been practiced within past year		
5.	6.04	Proof that abandonment of vessel has been practiced within past year		
6.		<b>Lay out on Bunk(s)</b>		
7.	3.29.1	Emergency antenna for each type of installed radio transceiver		
8.	3.29.5	Watertight handheld VHF radio transceiver stowed in grab bag		
9.	3.29.6	2nd radio capable of receiving weather, could be the handheld VHF		
10.	4.08	First Aid Manual and First Aid Kit		
11.	4.09	Foghorn		
12.	4.16.1	Tools, spare parts, method to disconnect/sever standing rigging		
13.	4.23	Governmental authority requirements for pyrotechnic and light signals		
14.	5.01.1	Lifejacket c/w lights, whistle etc., 1 for each crew, marked with name		
15.	5.01.1	Each lifejacket has crotch or thigh straps & harness		
16.	5.01.1	Each lifejacket has a sprayhood		
17.	5.01.2	Spare cylinder and activation head for each type on board		
18.	5.02.1	Safety harness for each crew		
19.	5.02.2	2 m (6'-6") tether, with coloured overload flag, for each crew		
20.	5.02.3	Mid-tether hook on 2m tether, or 1m (3'-3") tether for each crewmember		
21.		<b>Grab bag</b>		
22.	4.21	Watertight compartment or grab bag		
23.	4.21	Watertight hand-held marine VHF transceiver w/ spare batteries		
24.	4.21	Watertight flashlight with spare batteries & bulb		
25.	4.21	3 red hand flares		
26.	4.21	Watertight strobe light		
27.	4.21	Knife		
28.	4.21	Grab bag, if provided, has inherent flotation and 0.1 m <sup>2</sup> (1 ft <sup>2</sup> ) bright colour		
29.		<b>Below Deck Inspection</b>		
30.	3.06	2 exits, at least 1 forward of the foremost mast		
31.	3.08.3	Portlights that open inward labelled "NOT TO BE OPENED AT SEA"		
32.	3.10	Sea cocks or valves on through-hull openings below waterline		
33.	3.12	Heel of keel-stepped mast is secured to structure		
34.	3.18.2	Toilet, permanently installed		
35.	3.19.2	Bunks, permanently installed		

LINE	OSR REF.	ITEM	PiC ✓	EIO ✓
36.	3.20	Cooking stove, Permanently installed, with fuel shut-off		
37.	3.21.1	Permanently installed water delivery pump and water tank(s)		
38.	3.22	Hand holds below deck		
39.	3.27.4	Spare bulbs for navigation lights (not required for LED)		
40.	3.28.4	Separate engine starting battery or hand-starting device		
41.	3.28.4	Batteries are of sealed type		
42.	3.29.2	25W DSC enabled VHF w/ masthead antenna & programmed MMSI		
43.	4.03	Tapered soft wood plug at each through-hull opening		
44.	4.05.1	Fire blanket adjacent to every cooking device with an open flame		
45.	4.05.2	Governmental authority requirements for fire extinguishers in accordance with vessel registry,		
46.	4.12	Safety equipment location chart		
47.		<b>At Helm or Ready for Rapid Deployment</b>		
48.	4.22.3	Lifebuoy with self-igniting light, whistle, and drogue		
49.	4.22.7	Heaving line, pref. 'Throwing sock' type, 6mm (1/4") 15-25m (50-75')		
50.	4.22.8	Recovery Sling (Lifesling® or equivalent)		
51.	4.25	Strong, sharp knife, sheathed and securely restrained		
52.		<b>On Deck, Where Stowed or Ready for Deployment</b>		
53.	3.08.2	Hatch blocking devices (panels) attached and can be secured in place		
54.	4.06.2	2 suitably sized anchors and rode ready for immediate use		
55.	4.07.1	Watertight high-powered searchlight with spare batteries and bulbs		
56.	4.07.1	2nd watertight flashlight with spare batteries and bulbs		
57.		<b>Rigged/Fitted to Demonstrate Use</b>		
58.	3.27.2	Navigation lights, above sheerline and not obscured when sailing		
59.	3.27.3	Reserve navigation lights, can be powered separately		
60.	4.01.2	Alternate method for displaying sail letters and numbers		
61.	4.04.2	Jack stays are independent on each side of the deck		
62.	4.02.2	Jack stays to permit crew to move between workstations while clipped		
63.	4.04.3	Clipping points at workstations so that 2/3 can clip on without jack stays		
64.	4.10.1	Radar reflector, 30 cm (12") dia. octahedral or minimum RCS of 2 m <sup>2</sup>		
65.	4.15.1	Emergency tiller		
66.	4.15.2	Proven method of emergency steering with the rudder disabled		
67.	4.26	Adequate means of reefing the mainsail ... or roller ...		
68.		<b>General</b>		
69.	2.04	All equipment is readily available, adequately sized and functions		
70.	2.04.2	Heavy items are permanently installed or securely fastened		
71.	3.01	Boat is strongly built, seaworthy and watertight		
72.	3.08.1	Forward hatches open outward only		
73.	3.08.2	Hatches are attached, above water at 90° heel & operable if capsized		
74.	3.08.5	Companionway sill is above local sheerline, or acceptable alternative		
75.	3.09.1	Cockpit is strong, watertight and meets OSR size and drainage		
76.	3.14.1	Double lifelines & pulpits, surround entire deck, 600 mm (24") high		
77.	3.14.6	Lifeline materials and diameters meet OSR		
78.	3.17.1	25 mm (1") toe rail around foredeck		

LINE	OSR REF.	ITEM	PiC ✓	EIO ✓
79.	3.21.1	Water supply		
80.	3.23.1	2 strong buckets, each with lanyard and 9 l (2.4 US Gal) min capacity		
81.	3.23.1	Permanently installed manual bilge pump		
82.	3.23.2	Permanently installed manual bilge pump operable with all hatches closed		
83.	3.24	Magnetic compass, unpowered, with deviation chart		
84.	3.24	2nd magnetic compass, may be hand-held and/or electronic		
85.	3.25	2 halyards per mast, each capable of hoisting a sail		
86.	3.28.1	Propulsion engine provides minimum speed of 3/4 hull speed		
87.	3.28.1	Inboard or outboard propulsion engine		
88.	3.28.1	Fuel or battery capacity to motor at 3/4 hull speed for 5 hours + electric needs		
89.	3.29.8	GPS		
90.	4.01.1	Sail letters and numbers meeting RRS 77 & RRS G		
91.	4.13.1	Knot meter or log		
92.	4.13.2	Depth sounder		
93.	4.17	Boat's name on buoyant equipment		
94.	4.18	Marine grade retro-reflective material on buoyant equipment		

 <p><b>LAKE ONTARIO</b> OFFSHORE RACING</p>	<p align="center"><b>LOOR OSR Compliance Certification</b> AKA "Safety Document" <b>Separate form required for LO300, SHTR &amp; LOSHRS Races</b></p>		
<b>LOOR Event</b>			
<b>Sailboat Name</b>			
<b>Registered Sail Number</b>			
<b>Person in Charge (PIC)</b>			
<b>Date</b>			
<b>LOOR OSR Compliance Certification</b>			
<b>Category 3</b>		<b>Category 4</b>	
<ul style="list-style-type: none"> <li>• Please note that this document outlines safety requirements applicable to this Lake Ontario Offshore Racing event based on World Sailing Offshore Special Regulations and includes Sail Canada prescriptions and Lake Ontario Offshore Racing amendments.</li> <li>• The owner and the person in charge maintain the complete and unlimited responsibility to have the boat comply with all the requirements set out in the Lake Ontario Offshore Special Regulations at the start of the race.</li> <li>• This document only addresses items over and above government requirements; we encourage owners to arrange for a separate courtesy inspection by their local safe boating authority to ensure minimum government requirements are met.</li> <li>• A completed and signed copy of this card shall be submitted prior to the Participants' Meeting for the event. <b>If submitted electronically, the PiC's email address serves as the signature.</b></li> </ul> <p><b>IMPORTANT</b> A sailboat may be inspected at any time during the period from the Participants' Meeting until three hours after her finish. The Race Committee may, at the finish of the race, direct a sailboat to proceed directly to a designated location at Port Credit Yacht Club. A boat which fails to follow such directions, or which subsequently fails the inspection may be protested by the Technical Committee.</p>			
<p><b>"I hereby declare that I am the owner or Person in Charge (PiC) and that:</b></p> <ul style="list-style-type: none"> <li>• I have read and understood Special Regulations and in particular 1.02.1, 1.02.2, and 1.02.3 (Responsibility of Person in Charge).</li> <li>• I have inspected the boat and it complies with LOOR OSR selected above."</li> </ul>			
<b>PIC Signature</b>			