



# J/70 European Championship

September 1 – September 9, 2023

Weymouth and Portland National Sailing Academy, Portland, United Kingdom

## SAILING INSTRUCTIONS

The Organising Authority (OA) is Weymouth and Portland National Sailing Academy (WPNSA) and the International J/70 Class Association (IJ70CA), in conjunction with the UK & Ireland J/70 Class Association.

Event Website: <https://j70euros2023.com>

Official Notice Board: via <https://j70euros2023.com/noticeboard/>

See SI 31 for full contact information

---

*The notation "[NP]" in a rule means that a boat may not protest another boat or request redress for a violation of that rule. This changes RRS 60.1.*

### 1. RULES

- 1.1 NoR 1 contains a list of rules for this event. Competitors are reminded to take note of these.
- 1.2 [DP] RRS 40.1 applies at all times while racing. All competitors are required to wear a life jacket or other adequate personal flotation device (PFD) while racing.

### 2. CHANGES TO SAILING INSTRUCTIONS

Any change to the SIs will be posted before 0900 on the day it will take effect, except that any change to the schedule of races will be posted by 2000 on the day before it will take effect.

### 3. COMMUNICATION

- 3.1 Notices to competitors will be posted on the online Official Notice Board stated above. Additional information may be found on the Event Website, also listed above.
- 3.2 The race committee may make courtesy broadcasts to competitors via the Telegram messaging system as outlined in **Addendum E**. It is strongly recommended that all competitors join this group.
- 3.3 The race office is virtual at the address in 3.1 above.
- 3.4 Any questions regarding the NoR or these SIs shall be submitted in writing to the Race Committee (RC). The questions and any answers will be posted as in SI 3.1.
- 3.5 A competitors' briefing will be held at 1830 on Monday 4<sup>th</sup> September in Spinnakers. Additionally, there will be a briefing

for the practice race at 1200 on Monday 4<sup>th</sup> September in Spinnakers

- 3.6 On the water, the RC intends to monitor and communicate with competitors on VHF radio channel 60 ('the VHF Channel'). Failure of the RC to broadcast, mistaken broadcasts, or failure of a competitor to receive this information will not be grounds for a request for redress. This changes RRS 60.1(b).
- 3.7 [NP] [DP] Boats shall use the radio to report retirement from racing and may use the radio to request or provide assistance in an emergency.
- 3.8 [DP] Except as provided in SI 3.7, a boat shall not make voice or data transmissions while racing and shall not receive voice or data communication that is not available to all boats.

#### 4. CODE OF CONDUCT

- 4.1 [DP] Competitors and support persons shall comply with reasonable requests from race officials.

#### 5. SIGNALS MADE ASHORE

- 5.1 Signals made ashore will be displayed on the flagpole on the balcony outside the southeast corner of the Event Hall.
- 5.2 When flag AP is displayed ashore, "1 minute" is replaced with "sixty (60) minutes" in The Racing Rules of Sailing (RRS) Race Signal AP.

#### 6. SCHEDULE AND FORMAT OF RACES

##### 6.1 Schedule

Saturday	Sep 2nd	0900 – 1815	Check-in and inspection
Sunday	Sep 3rd	0900 – 1815	Check-in and inspection
Monday	Sep 4th	0900 – 1300 1300  1200 1430 1830 1900	Check-in and inspection [DP] Check-in closes; all boats, sails, and equipment must be inspected and boats must be afloat. <i>Practice Race Briefing (Spinnakers – added since NoR)</i> Practice race Competitors' Briefing Opening Ceremony
Tuesday	Sep 5th	1125	First warning signal - subsequent race(s) to start ASAP
Wednesday	Sep 6th	1125	First warning signal - subsequent race(s) to start ASAP
Thursday	Sep 7th	1125	First warning signal - subsequent race(s) to start ASAP
Friday	Sep 8th	1125	First warning signal - subsequent race(s) to start ASAP
Saturday	Sept 9th	1125 1530 After racing	First warning signal - subsequent race(s) to start ASAP No warning signal shall be given after this time Awards ceremony at WPNSA Haul out /de rig
Sunday	Sep 10th	TBD	Haul out / de-rig

- 6.2 Up to ten (10) races are scheduled with two (2) races per day on Tuesday through Saturday, September 5 - 9. A maximum of three (3) races may be sailed in one day. The RC, at its discretion, may run fewer total races.
- 6.3 The scheduled time of the first warning signal each day is 1125. Subsequent races will start as soon as practicable.
- 6.4 On Saturday, September 9, no warning signal will be made after 1530.
- 6.5 All boats shall sail as one fleet.

## 7. CLASS FLAG

The class flag is International code flag J.

## 8. RACING AREA

**Addendum A** shows the location of the racing area.

## 9. COURSES

- 9.1 The course to be sailed will be a windward-leeward format. The diagrams in **Addendum B** show the course, including the order in which marks are to be passed, and the side on which each mark is to be left.
- 9.2 No later than the warning signal for each race, the RC signal vessel will use placards to identify the approximate magnetic bearing and distance to mark 1.
- 9.3 Courses will not be shortened using flag "S". This changes RRS 32. However, legs of the course may be shortened (or lengthened) pursuant to RRS 33.

## 10. MARKS

- 10.1 Marks 1, 1A (offset), 2S /2P (gate), inflatable orange "dumpy" marks.
- 10.2 New marks, as provided in SI 13, inflatable blue "dumpy" marks with a black band.
- 10.3 Starting marks are RC vessels displaying orange flags.
- 10.4 Finish marks are RC vessels displaying blue flags .

## 11. OBSTRUCTIONS [DP][NP]

- 11.1 Boats shall keep more than 100 metres away from ships over 100 metres in length, ships at anchor or ships displaying Flag A (indicating divers in the water). These areas rank as obstructions.
- 11.2 The attention of all competitors, race management personnel and spectators afloat are drawn to the fact that Portland Harbour is a working port and that harbour regulations shall be observed. Any directions given by Portland Harbour Authority either in person or by VHF (CH 74) shall be complied with without delay. Failure to comply with this instruction may result in a penalty.
- 11.3 Only the Northern entrance shall be used in leaving or returning to Portland Inner Harbour, unless directed otherwise by an Official or Portland Harbour Authority Boat.
- 11.4 Boats shall not transit at any time through the RNSA moorings, which are to the left of the Marina exit when leaving the Marina.

## 12. THE START

- 12.1 The starting line will consist of either two or three RC vessels. The RC will announce the line type prior to the warning signal for a race.
- 12.2 Three-Vessel Starting Line:
- (a) The starting line consists of two line segments:
    - (i) one is between staffs displaying orange flags on the mid-line RC signal vessel and the port-end RC line vessel;
    - (ii) the other is between staffs displaying orange flags on the mid-line RC signal vessel and the starboard-end RC line vessel.
  - (b) Sound and visual signals will be made only by the mid-line RC signal vessel.
- 12.3 Two-Vessel Starting Line:
- (a) The starting line is between staffs displaying orange flags on the starboard RC signal vessel and the port-end RC line vessel.
  - (b) Sounds and visual signals will be made only on the starboard-end RC signal vessel.
- 12.4 To alert boats that a race will begin soon, orange starting line flags will be displayed with one long sound signal on the RC signal vessel marking the line for a minimum of 5 minutes before the warning signal is displayed.
- 12.5 Individual and General Recall flags will be displayed on the RC signal vessel in accordance with RRS 29 and may be displayed by other starting line boats as a courtesy. This changes RRS 29.1 and RRS 29.2.
- 12.6 Boats subject to individual recall under RRS 29.1 or boats breaking RRS 30.3 (*U Flag Rule*) or RRS 30.4 (*Black Flag Rule*) will be broadcast on the VHF Channel using bow numbers as a courtesy.
- 12.7 In the event of a General Recall or abandonment after the start during a RRS 30.4 (*Black Flag Rule*) start, the RC shall broadcast on the VHF Channel and display the bow number of any boat violating RRS 30.4 before the next warning signal. This changes RRS 30.4.
- 12.8 The RC will attempt to make the broadcasts described in SI 12.6 and 12.7. However, the timing of such a broadcast, the sequence of the broadcasts or the failure to make or hear the broadcasts shall not be grounds for granting redress. This changes RRS 62.1(a).
- 12.9 A boat that does not start within five (5) minutes after her starting signal will be scored Did Not Start (DNS) without a hearing. This change is added to RRS A5.1.

## 13. CHANGING THE NEXT LEG OF THE COURSE

- 13.1 To change the next leg of the course, the RC will lay a new mark (or move the finishing line) and remove the original mark as soon as practicable. When in a subsequent change a new mark is replaced, it will be replaced with the original mark.
- 13.2 When Mark 1 is replaced, Mark 1a will also be replaced with a mark as described in SI 10.2

## 14. THE FINISH

The finish line is between staffs displaying blue flags on RC vessels.

## 15. PENALTY SYSTEM

- 15.1 RRS Appendix UF (Umpired Fleet Racing) is in effect and replaced in its entirety as stated in **Addendum C**.
- 15.2 Jury vessels may be positioned anywhere on the course area. Their position at any time will not be grounds for a request for redress. This changes RRS 60.1(b).
- 15.3 A boat that has taken a penalty under RRS 31 or RRS 44.1 shall submit a completed penalty acceptance form at the virtual race office within the protest time limit.
- 15.4 RRS Appendix T (Arbitration) applies.
- 15.5 The IJ may impose discretionary penalties other than disqualification for violations of RRS non-Part 2 rules. This SI does

not apply to breaches of RRS 2, 28 or 31.

- 15.6 The IJ may impose discretionary penalties other than disqualification for violations of Class Rules, including the International J/70 Class Rules (J70CR) and the J/70 Equipment Regulations (J70ER). However, in no case shall the penalty for such a violation be less than a ten percent (10%) scoring penalty calculated pursuant to RRS 44.3(c). This changes RRS 64.6.

## 16. TIME LIMITS AND TARGET TIMES

- 16.1 The race time limit for each race is 120 minutes. The target time for each race is 60-70 minutes. Failure to meet the target time will not be grounds for a request for redress. This changes RRS 60.1(b).
- 16.2 Boats failing to finish within 20 minutes after the first boat sails the course and finishes within the race time limit will be scored Time Limit Expired (TLE) without a hearing, unless they subsequently retire, are penalized, or are given redress. The score for TLE is the number of finishers plus two points, but no worse than the score for DNF. This changes RRS 35 and is added to RRS A4, A5, and A10.
- 16.3 The RC will lower the finish line flags to indicate that the time limit has expired.

## 17. HEARING REQUESTS

- 17.1 The Jury Office will be in WPNSA Room 1.
- 17.2 The protest time limit each day is sixty (60) minutes after the RC signal vessel docks on that day. This time will be posted on the online Official Notice Board within fifteen (15) minutes after the RC signal vessel docks.
- 17.3 The second sentence of RRS 62.2 is replaced with: "If the request is based on an incident in the racing area, it shall be filed within the protest time limit for that day."
- 17.4 A notice of boats scored per RRS A5.1 and SI **Addendum C** each day will be posted on the Official Notice Board no later than fifteen (15) minutes after the RC signal vessel docks on that day. The deadline for a request for redress based on these scores is the protest time limit for that day. This changes RRS 62.2.
- 17.5 The time limit for a request for redress based on the outcome of a scoring inquiry is 30 minutes after that outcome has been posted. This changes RRS 62.2.
- 17.6 The Categorization Protest Time Limit (see World Sailing Regulation 22.5.1) is the protest time limit for the first racing day.
- 17.7 Hearing request forms are available on the online Official Notice Board.
- 17.8 Penalty acceptance forms are available on the online Official Notice Board.
- 17.9 Notices will be posted no later than fifteen (15) minutes after the protest time limit each day on the Official Notice Board to inform competitors of hearings in which they are parties or named as witnesses. Hearings will be heard as soon as possible.
- 17.10 On the last day of the event, a request for reopening a hearing shall be delivered within the protest time limit if the requesting party was informed of the decision on the previous day or no later than 30 minutes after the requesting party was informed of the decision on that day. This changes RRS 66.2.
- 17.11 On the last day of the event, a request for redress based on a jury decision shall be delivered no later than 30 minutes after the decision was posted. This changes RRS 62.2.

## 18. SCORING

- 18.1 Scoring shall be according to the Low Point Scoring System of RRS A2 and A4 as follows:
- (a) When fewer than five (5) races have been completed, a boat's series score shall be the total of her race scores;
  - (b) When five (5) or more races have been completed, a boat's series score shall be the total of her race scores excluding her worst score.
- 18.2 Three (3) races are required to constitute a championship.
- 18.3 Preliminary results will be posted on the Official Notice Board as soon as possible after racing each day.
- 18.4 Competitors shall notify the RC of any scoring inquiry by filing a Scoring Inquiry Form on the online Official Notice Board. The deadline to file a scoring inquiry is the protest time limit or thirty (30) minutes after the preliminary results have been

posted for that day, whichever is later.

## 19. SAFETY REGULATIONS

- 19.1 [DP] [NP] Prior to the warning signal of her first race each day, each boat shall check-in with the RC signal vessel in the starting area. Each boat shall pass close astern on starboard tack and hail her bow number. When a boat has been recognized, the RC will hail the boat's bow number.
- 19.2 [DP] [NP] A boat that retires from a race or leaves the racing area between races shall notify the RC as soon as possible using the VHF Channel.
- 19.3 [DP] [NP] A boat not leaving the marina for any of the day's racing shall inform the RC as soon as possible.
- 19.4 The penalty for breaking a rule in SI 19 shall be a twenty percent (20%) scoring penalty calculated pursuant to RRS 44.3(c) unless the Jury decides differently, applied without a hearing to a boat's first valid race of the day. This change is added to RRS A5.1.

## 20. REPLACEMENT OF CREW OR EQUIPMENT

- 20.1 Substitution of competitors is not allowed without written approval of the event Technical Committee prior to racing on that day.
- 20.2 Repair, alteration, replacement, or substitution of damaged or lost equipment will not be allowed unless authorized before racing by the event Technical Committee pursuant to J70ER 10.
- 20.3 Boats requesting approvals under SI 20 shall contact the event Technical Committee for instructions:
  - (a) If off the water: by phone, text message, or Telegram (see SI 31 for contact information);
  - (b) If on the water: hailing on the VHF Channel.

## 21. EQUIPMENT AND MEASUREMENT CHECKS

- 21.1 [DP] Pursuant to J70ER 4, a boat, sails or equipment may be inspected at any time for compliance with the Event Equipment Rules (see J70ER 2), IJ70CA Class Rules (J70CR), the NoR and these SIs. On the water, when instructed by a member of the RC or event Technical Committee, a boat shall proceed immediately to a designated area for inspection.
- 21.2 Bow numbers will be supplied and applied by the OA in accordance with the J70ER 6 and J70ER Appendix A as shown in **Addendum D**.
- 21.3 Bow numbers shall be displayed from the time they are applied by the OA through the end of the event. It is the responsibility of the competitor to ensure that the bow numbers remain on the boat and obtain replacements as necessary.

## 22. EVENT ADVERTISING

- 22.1 [DP] [NP] Boats shall display any event advertising supplied by the OA, in accordance with World Sailing Regulation 20. If this rule is broken, World Sailing Regulation 20.9.2 applies.
- 22.2 [DP] [NP] Any required sponsor or event identification stickers, decals and flags shall be placed on the bow or boom, in the cockpit or on a shroud or stay as directed by the OA. They shall be displayed from the close of check-in through the end of the event. If required to be placed on the bow, they shall be placed immediately aft of the bow numbers. It is the responsibility of the competitor to ensure that the stickers remain on the boat and obtain replacements as necessary.

## 23. OFFICIAL VESSELS

[NP] Official vessels are marked as follows:

Category	Flag
RC Vessels	Orange Masts
Jury Vessels	Grey flag with black JURY
Technical Committee	Yellow Flag with black MEASURER
Press Vessels	Green flag with White MEDIA
Coach and Support Vessels	Pink Flag with black number

## 24. SUPPORT TEAMS

- 24.1 [DP] [NP] Only registered Support Person Vessels (SPVs), including coach, press, private and spectator vessels that prominently display identification provided by the OA are allowed in the racing area. The person in charge of the competing boat(s) to which support vessels are attached shall acknowledge the presence of a support vessel on his check-in form and may pay the applicable fee on behalf of the support vessel.
- 24.2 [DP] [NP] All SPVs shall carry a working VHF radio capable of transmitting and receiving normal domestic and international channels, including the VHF Channel.
- 24.3 [DP] SPVs, and team leaders, coaches, and other support personnel, shall stay more than 150 meters to leeward of the starting line, leeward marks, and from any competing boats that are racing.
- 24.4 [DP] [NP] SPVs shall comply with any additional directions given by the OA, the RC or the Jury, including requests for assistance with rescues. Failure to comply may result in the accreditation being withdrawn and all access to the club facilities, grounds and docks being denied.
- 24.5 [DP] [NP] SPVs shall be kept in the places, both afloat and ashore, that they specify during check-in.
- 24.6 Operators of SPVs and all competitors are reminded that J70CR I.3 (Outside Assistance) is in effect. See NoR 1.

## 25. TRASH DISPOSAL

[DP] Trash shall be placed in the appropriate containers when the boats return to shore.

## 26. BERTHING

[DP] Boats shall be kept in their assigned places while in the marina.

## 27. HAUL-OUT RESTRICTIONS

27.1 [DP] Boats shall not be hauled out during the event except with and according to the terms of prior written permission of the Technical Committee.

## 28. DIVING EQUIPMENT AND PLASTIC POOLS

28.1 [DP] Underwater breathing apparatus and plastic pools or their equivalent shall not be used around keelboats between the preparatory signal of the first race and the end of the last race of the event.

## 29. PRIZES

Prizes will be awarded as specified in the NoR.

## 30. RISK STATEMENT

- 30.1 Rule 3 of the Racing Rules of Sailing states: 'The responsibility for a boat's decision to participate in a race or to continue racing is hers alone.'
- 30.2 Sailing is by its nature an unpredictable sport and therefore inherently involves an element of risk. By taking part in the event, each competitor agrees and acknowledges that:
- a) They are aware of the inherent element of risk involved in the sport and accept responsibility for the exposure of themselves, their crew and their boat to such inherent risk whilst taking part in the event;
  - b) They are responsible for the safety of themselves, their crew, their boat and their property whether afloat or ashore;
  - c) They accept responsibility for any injury, damage or loss to the extent caused by their own actions or omissions;
  - d) Their boat is in good order, equipped to sail in the event and they are fit to participate;
  - e) The provision of a race management team, patrol boats and other officials and volunteers by the event organiser does not relieve them of their own responsibilities;
  - f) The provision of patrol boat cover is limited to such assistance, particularly in extreme weather conditions, as can be practically provided in the circumstances;
  - g) It is their responsibility to familiarise themselves with any risks specific to this venue or this event drawn to their attention in any rules and information produced for the venue or event and to attend any competitors briefing held for the event;

### 31. RACE OFFICIALS

Host Club Contact: WPNSA, Osprey Quay, Portland, Dorset, UK. DT5 1SA  
IJ70CA Class Executive: Christopher Howell, CAE ([howell@j70office.com](mailto:howell@j70office.com))  
+1 (440) 796-3100 (mobile/WhatsApp)  
Principal Race Officer: Ian Bullock, IRO  
Jury Chairman: Luca Babini  
Event Technical Committee Chair: John Outhwaite (+44 7760 136544, [john@drivinglogic.co.uk](mailto:john@drivinglogic.co.uk))  
IJ70CA Technical Chair: Mark Foster, IRO (+1 361-816-9801, [mfooster1053@gmail.com](mailto:mfooster1053@gmail.com))



## Addendum A RACING AREA

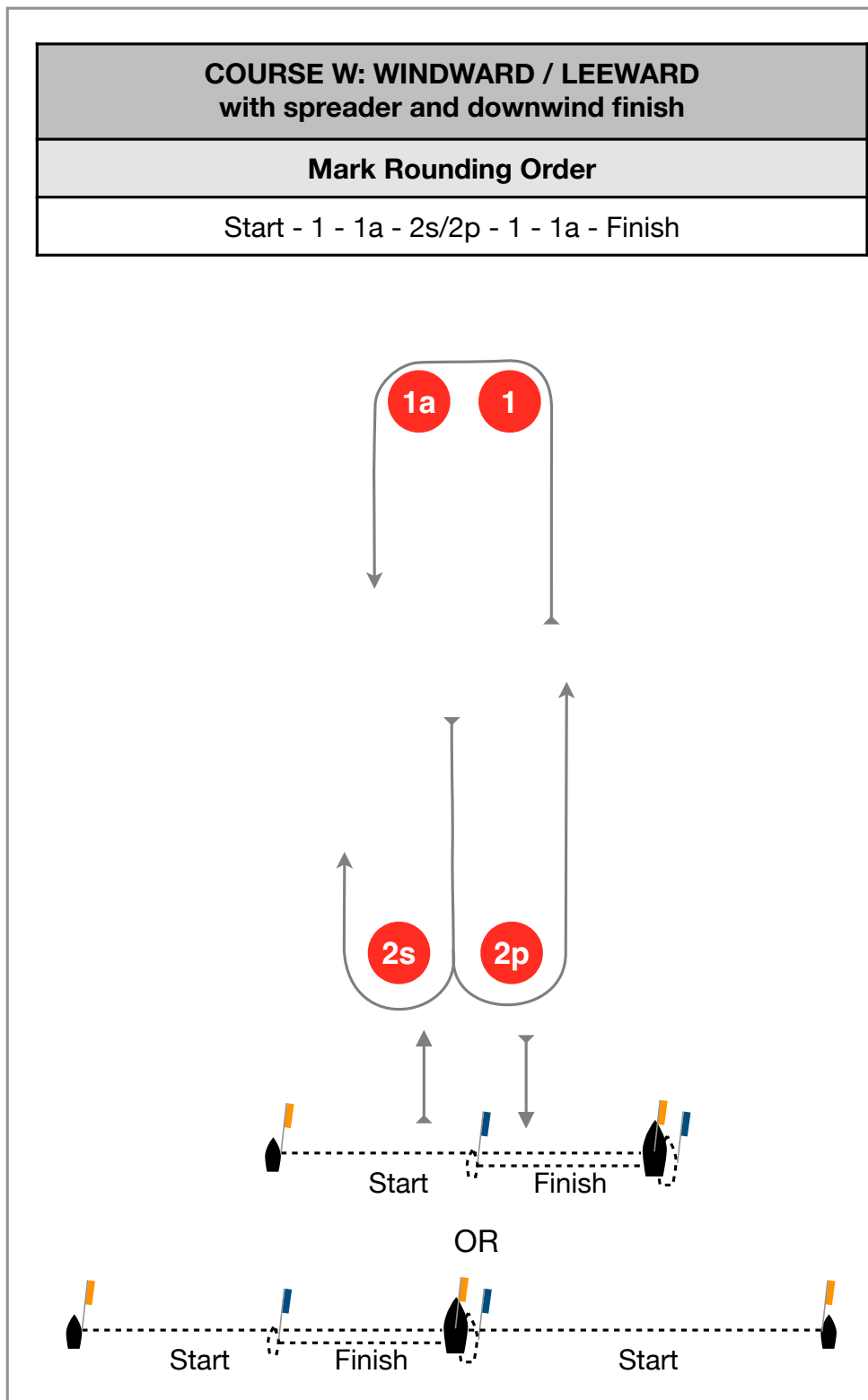


# Addendum B COURSE

**COURSE W: WINDWARD / LEEWARD  
with spreader and downwind finish**

**Mark Rounding Order**

Start - 1 - 1a - 2s/2p - 1 - 1a - Finish



## Addendum C

### APPENDIX UF UMPIRED FLEET RACING 2023 J70 Edition

**Version:** 04.08.20231b

*Umpired fleet races shall be sailed under The Racing Rules of Sailing as changed by this appendix. Races shall be umpired. The rule changes in UF1 have been approved by World Sailing under Regulation 28.1.5(b) on the condition that only the provided options are used. This appendix applies only when it is referred to in the Notice of Race and made available for all competitors.*

#### **UF1 CHANGES TO THE DEFINITIONS, THE RULES OF PART 1 AND 2, AND RULE 70**

**UF1.1** Add to the definition *Proper Course*: ‘A boat taking a penalty or manoeuvring to take a penalty is not sailing a *proper course*.’

**UF1.2** Add new rule 7 to Part 1:

#### **7 LAST POINT OF CERTAINTY**

The umpires will assume that the state of a boat, or her relationship to another boat, has not changed, until they are certain that it has changed.’

**UF1.3** SPARE

**UF1.4** When rule 20 applies, the following arm signals are required in addition to the hails:

- (a) for *room* to tack, repeatedly and clearly pointing to windward; and
- (b) for ‘You tack’, repeatedly and clearly pointing at the other boat and waving the arm to windward.

**UF1.5** Rule 70 is deleted.

**UF1.6** SPARE

#### **UF2 CHANGES TO OTHER RULES**

**UF2.1** SPARE

#### **UF3 ON WATER PROTESTS AND PENALTIES**

**UF3.1** In this appendix, ‘a penalty’ will mean the following:

A One-Turn Penalty taken in accordance with rule 44.2.

**UF3.2** The first sentence of rule 44.1 is changed to: ‘A boat may take a penalty when she may have broken one or more of the rules of RRS Part 2 in an incident while racing (except rule 14 when she has caused damage or injury), rule 31, rule 42 or Class rule C9.4 and

C3.3. However, when she may have broken a rule of Part 2 of RRS while in the zone around a mark, other than a starting mark, or the RRS 20 in any area of the course, her penalty shall be a Two-Turns Penalty. When she may have broken a rule of Part 2 and rule 31 in the same incident, she need not take the penalty for breaking rule 31.

### **UF3.3 On the Water Protests by Boats and Penalties**

- (a) While racing, a boat may protest another boat under a rule of Part 2 (except rule 14) or under rule 31 or rule 42; however, a boat may only protest under a rule of Part 2 for an incident in which she was involved. To do so she shall hail 'Protest' and conspicuously display a red flag at the first reasonable opportunity for each. The red flag shall be positioned on the rope between the boom and the upper mainsail sheet block. The use of any other flag shall not be valid for protest purposes. She shall remove the flag before, or at the first reasonable opportunity after a boat involved in the incident has taken a penalty voluntarily or after an umpire's decision.
- (b) A boat shall not take any penalties while in the zone of a mark, other than a starting/finishing marks, or on the offset leg. In the last case the penalty shall be delayed and taken as soon as possible on the downwind leg. This changes rule 44.2.

### **UF3.4 Penalties and Protests Initiated by an Umpire**

- (a) When a boat
  - (1) breaks rule 31 and does not take a penalty,
  - (2) breaks rule 42 or UF3.3(b),
  - (3) gains an advantage despite taking a penalty,
  - (4) deliberately brakes a rule,
  - (5) commits a breach of sportsmanship, or
  - (6) fails to comply with rule UF3.6 or to take a penalty when required to do so by an umpire,
  - (7) breaks Class Rule C9.4 (Bowsprit),
  - (8) breaks Class rule C3.3 (Crew Positioning),

an umpire may penalize her without a protest by another boat. The umpire may impose a penalty or more, each signalled in accordance with rule UF3.5(b), or disqualify her under rule UF3.5(c), or report the incident to the protest committee for further action. If a boat is penalized under rule UF3.4(a)(6) for not taking a penalty or taking a penalty incorrectly, the original penalty is cancelled,

- (b) An umpire who decides, based on his own observation or a report received from any source, that a boat may have broken a rule, other than a rule listed in rule UF3.3(a), may inform the protest committee for its action under rule 60.3. However, he will not inform the protest committee of an alleged breach of rule 14 unless there is damage or injury.

### **UF3.5 Umpire Signals**

An umpire will signal a decision as follows:

- (a) A green and white flag with one long sound means ‘No penalty.’
- (b) A red flag with one long sound means ‘a penalty is imposed as per UF3.2’. A red flag with two long sounds means the penalty will be two turns. The umpire will hail or signal to identify each such boat.
- (c) A black flag with one long sound means ‘A boat is disqualified.’ The umpire will hail or signal to identify the boat disqualified.
- (d) A blue flag with one long sound signal means “The umpires do not have the facts required to make a decision”.
- (e) Rule 43.1(a) is changed so that the provision for exonerating a boat may be applied by the umpires without a hearing, and it takes precedence over any conflicting sailing instruction.

### **UF3.6 Imposed Penalties**

- (a) A boat penalized under rule UF3.5(b) shall take a penalty.
- (b) A boat disqualified under rule UF3.5(c) shall promptly leave the course area.

## **UF4 RACE COMMITTEE ACTIONS**

**UF4.1** At the end of the race the RC will promptly display flag B with one sound. Flag B will be displayed for at least two minutes and then removed with one sound.

## **UF5 PROTESTS; REQUESTS FOR REDRESS OR REOPENING; APPEALS; OTHER PROCEEDINGS**

**UF5.1** No proceedings of any kind may be taken in relation to any action or non-action by an umpire.

**UF5.2** A boat that protests as provided in rule UF3.3(a) is not entitled to a hearing unless an umpire signals in accordance with UF3.5(d) or there is no signal from the umpire. Instead, a boat involved in the incident may acknowledge breaking a rule by voluntarily taking a penalty. An umpire may penalize any boat that broke a rule and was not exonerated, unless the boat took a penalty voluntarily.

**UF5.3** A boat intending to

- (a) protest another boat under a rule other than rule UF3.6,
- (b) protest another boat under rule 14 if there was contact that caused damage or injury, or
- (c) request redress based on an incident in the racing area

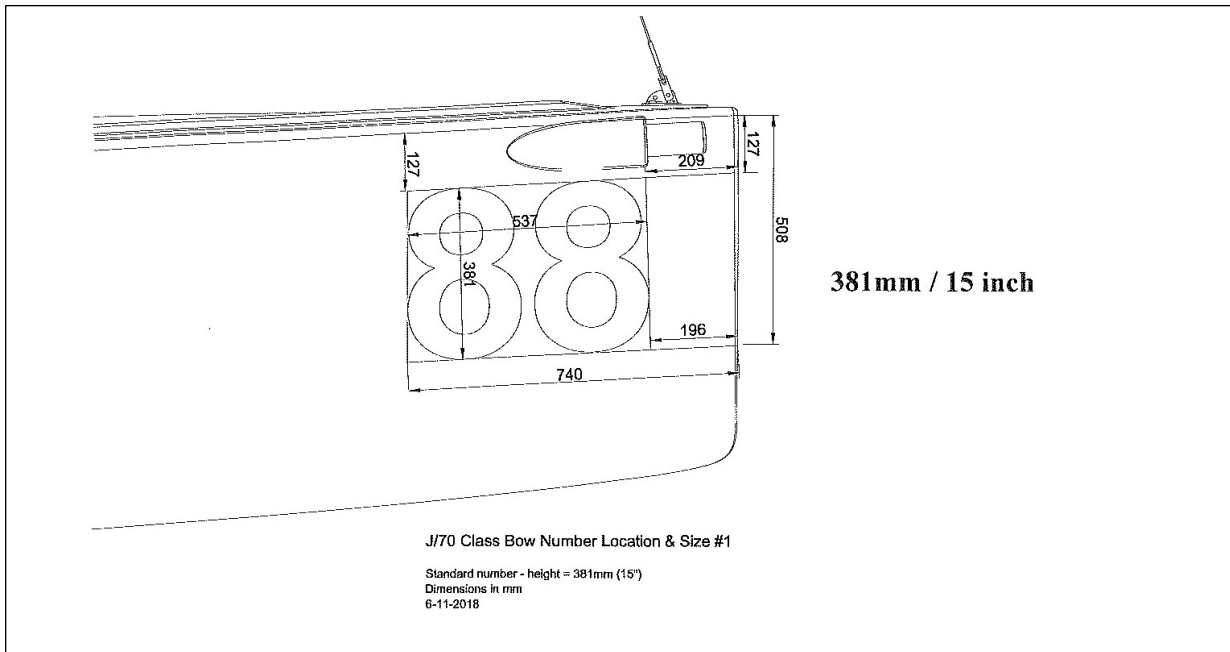
shall keep the protest flag displayed, when required, until she has informed the RC before, in case of retirement, or during the display of the “B” flag by hail or VHF call.

**UF5.4** The time limit defined in rule UF5.3 also applies to protests under rule UF5.9, UF5.10 and UF5.11 when such protests are permitted. The protest committee shall extend the time limit if there is good reason to do so.

- UF5.5** The race committee will promptly inform the protest committee about any protests or requests for redress made under rule UF5.3.
- UF5.6** The third sentence of rule 61.1(a) is deleted when UF3.5(a) to (c) apply.
- UF5.7** The first three sentences of rule 64.2 are changed to: ‘When the protest committee decides that a boat that is a *party* to a protest hearing has broken a rule, it may impose penalties other than disqualification, and may make any other scoring arrangement it decides is equitable. If a boat has broken a *rule* when not *racing*, the protest committee shall decide whether to apply any penalty to the race sailed nearest in time to that of the incident or make some other arrangement.’
- UF5.8** Hearings
- (a) When Appendix T will be applied on the water no document will be produced by the parties and by the Arbitrator. Decision to accept a post race penalty and/or to withdraw a protest will be final and no further action shall be permitted.
  - (b) Protests and requests of redress shall be lodged following the procedure as per SIs 16.
- UF5.9** The race committee will not protest a boat except under rule 28 and 31.
- UF5.10** The protest committee may protest a boat under rule 60.3. However, it will not protest a boat for breaking rule UF3.6, a rule listed in rule UF3.3 (a), or rule 14 unless there is damage or injury.
- UF5.11** The technical committee will only protest a boat under rule 60.4 when it decides that a boat or personal equipment does not comply with the class rules, rule 50, or the rules in the equipment regulations of the event, if such exist. In such a case, the technical committee shall protest.

## Addendum D

### J/70 EQUIPMENT REGULATIONS Appendix A: Bow Number Positioning



# Addendum E

## Official Regatta *Telegram* Group

In addition to the Official Notice Board, the Organising Authority may send messages to competitors and support persons via the Instant Messaging Application, Telegram.

Telegram is similar to WhatsApp but has better privacy (phone numbers are not public), allows larger groups and allows new arrivals to see existing messages.

Please download Telegram for your Smart Phone and/or Laptop prior to the event from the links on <https://telegram.org>



Then join the groups below by following the link or scanning the QR codes:

**Broadcast:** Messages from the Organising Authority and Race Committee:

<https://t.me/+4aEEACOmrxZIODA0>



**Queries:** Questions to the Organising Authority or Race Committee:

<https://t.me/+u7VVbxXImXplNmQ8>



The speed of answers may vary and may be sent via the broadcast group. Please use this facility as sparingly as possible and certainly not for chat or it will lose its effectiveness.